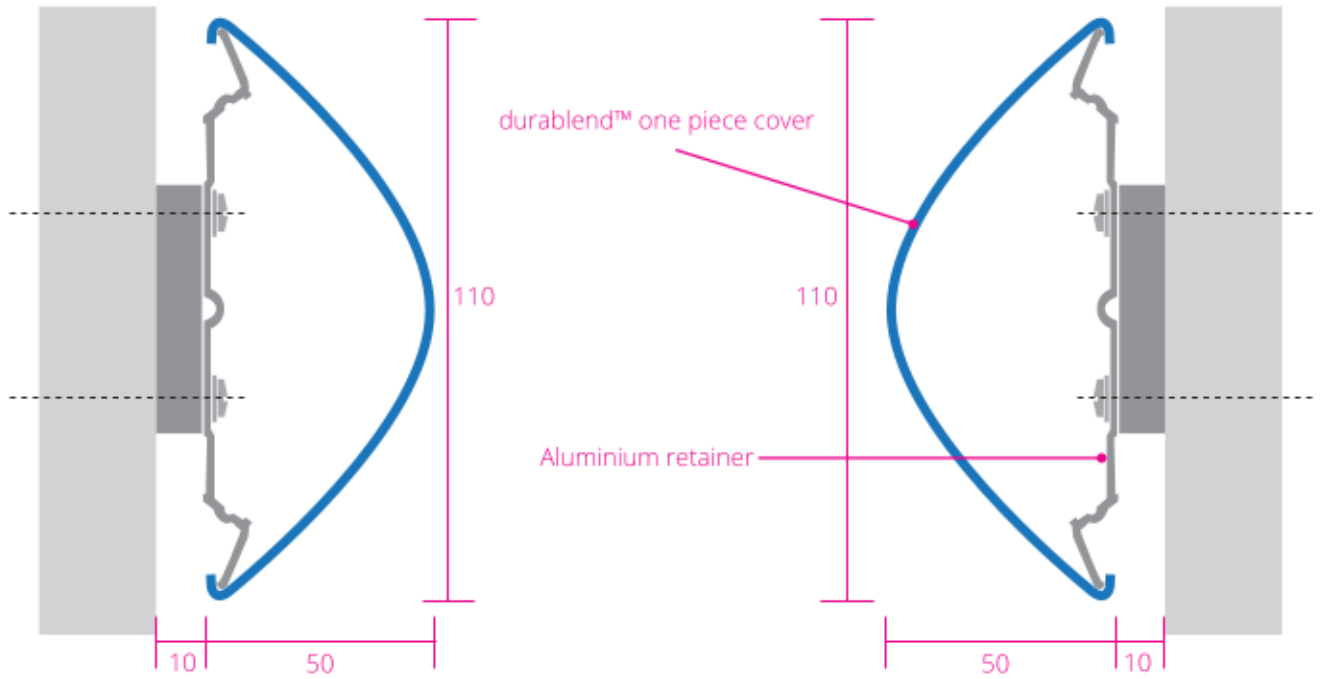


HEALTHCARE

PVC FREE

MEDIUM DUTY

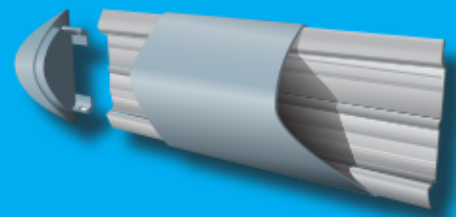


Samples can be provided upon request,  
Get in touch on:  
01420 543 222

To mark-up your designs and floor plans with wall protection units, for recommended range of products most suitable for each corridor, wall or project, contact us: [sales@sdsprotection.co.uk](mailto:sales@sdsprotection.co.uk)

for RAL, LRV and more visit:  
[www.sdsprotection.co.uk/colours](http://www.sdsprotection.co.uk/colours)

Endcaps are supplied separately  
Other projection options available



Buttermilk	Mushroom	Chalk	Snowflake	Gunpowder	Cobble	Flint	Peppermint	Jade	Verdure	Aqua	Evergreen
Midnight	Lupin	Dunlin	Grape	Claret	Sentry	Mandarin	Apricot	Primrose	Carbon	Chocolate	

All durablend profiles constitute ecologically sound, PVC-free, highly recyclable material. So whilst they can be specified and installed to adeptly rebuff impacts, by selecting durablend you can be assured our Planet suffers very little impact.

SDS Protection Ltd

Unit 4, Guildford Road Trading Estate, FARNHAM, SURREY GU9 9PZ

[www.sdsprotection.co.uk](http://www.sdsprotection.co.uk)

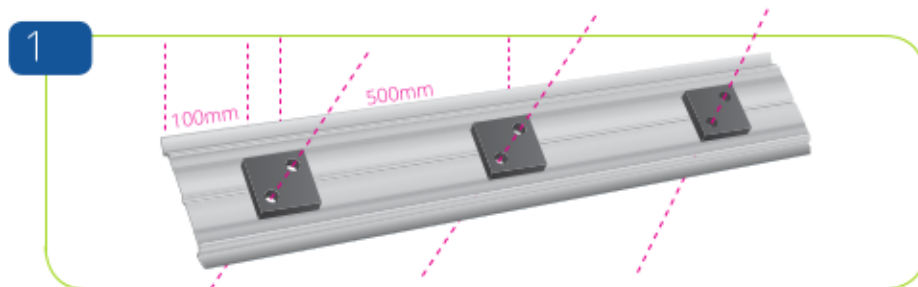
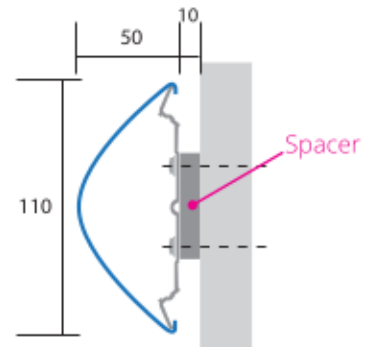
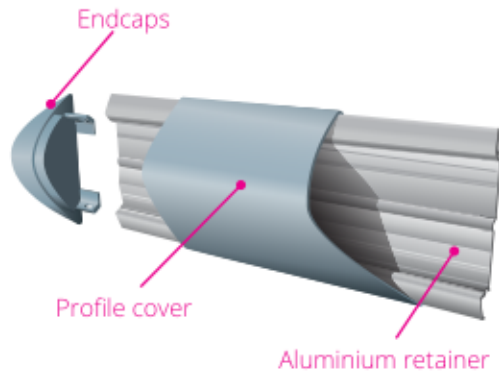
[sales@sdsprotection.co.uk](mailto:sales@sdsprotection.co.uk)

01420 543 222

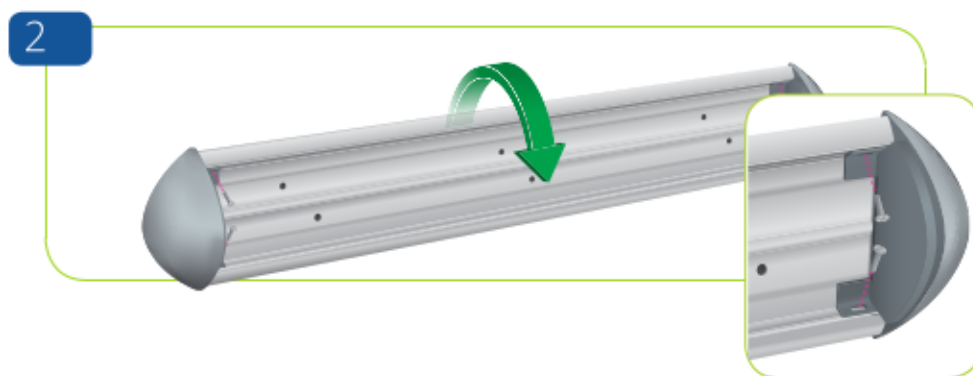
HEALTHCARE

PVC FREE

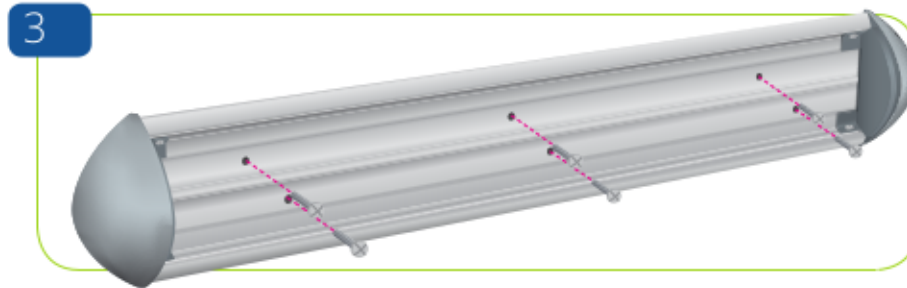
MEDIUM DUTY



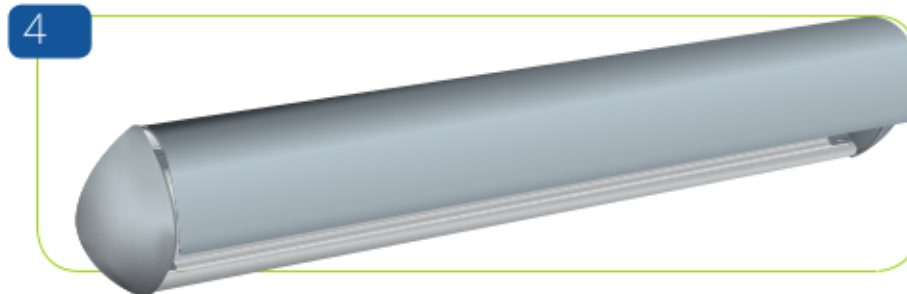
1 Cut the aluminium retainer to the correct length allowing for an endcap at either end. Hold a 10mm spacer bracket to the reverse of the retainer and starting 100mm from either end and with a maximum of 500mm centres (spaced evenly) drill through the aluminium retainer to create fixing holes.



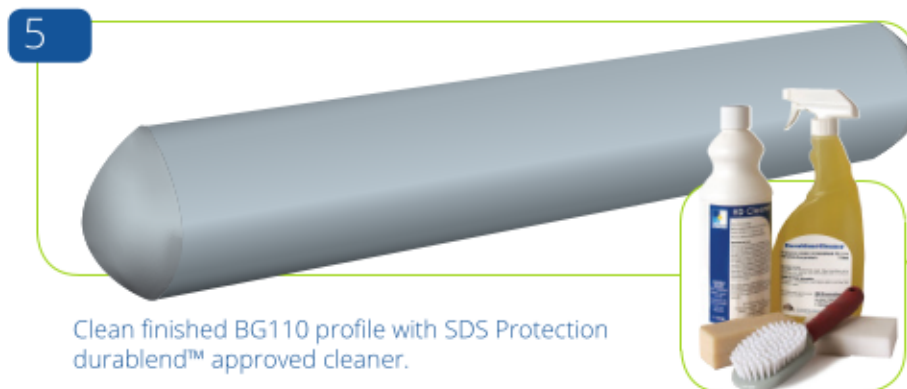
2 Turn over and attach endcaps to the retainer using screws of a maximum length 15mm.

**HEALTHCARE**
**PVC FREE**
**MEDIUM DUTY**


Mark the fixing points on the wall using the drilled retainer as a template. Ensure a spacer bracket is aligned to each fixing point and screw retainer to the wall using construction approved fixings.



Measure between endcaps and cut the cover to length. Clip on the cover starting from the top and pushing downwards, ensuring a snug fit.



Clean finished BG110 profile with SDS Protection durablend™ approved cleaner.

**SDS Protection Ltd**

Unit 4, Guildford Road Trading Estate, FARNHAM, SURREY GU9 9PZ

[www.sdsprotection.co.uk](http://www.sdsprotection.co.uk)
[sales@sdsprotection.co.uk](mailto:sales@sdsprotection.co.uk)

01420 543 222