

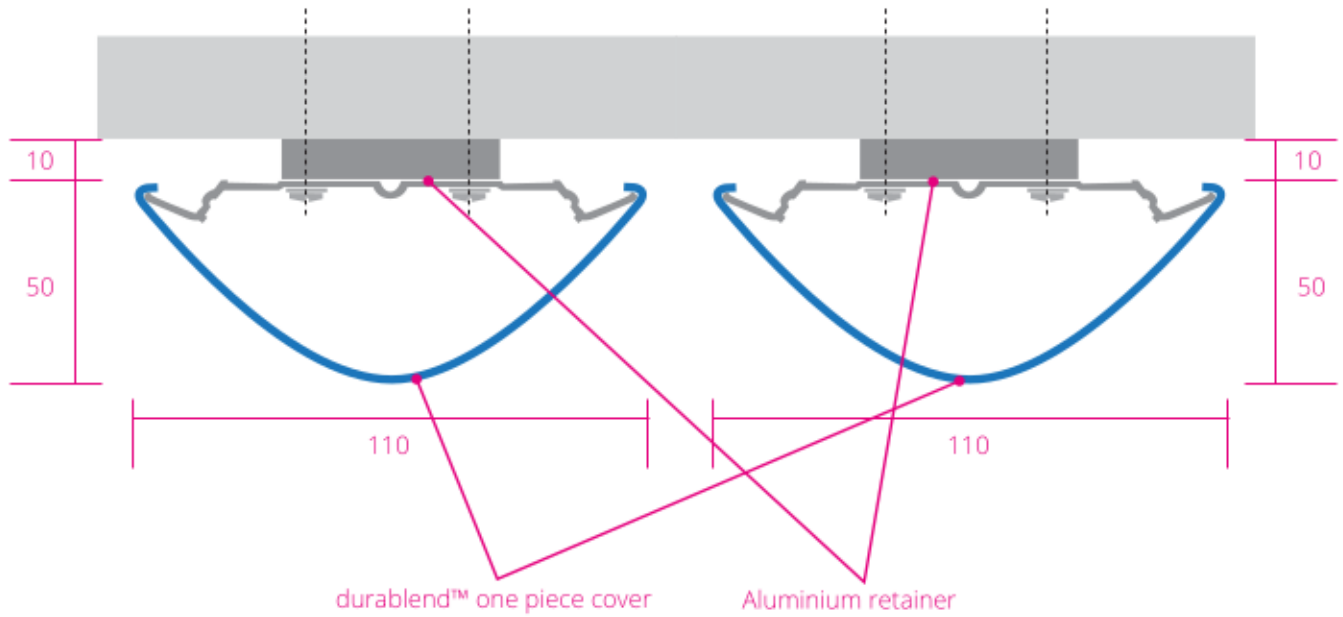


DATASHEET AND INSTALLATION GUIDE

HEALTHCARE

PVC FREE

MEDIUM DUTY



Samples can be provided upon request,
Get in touch on:
01420 543 222

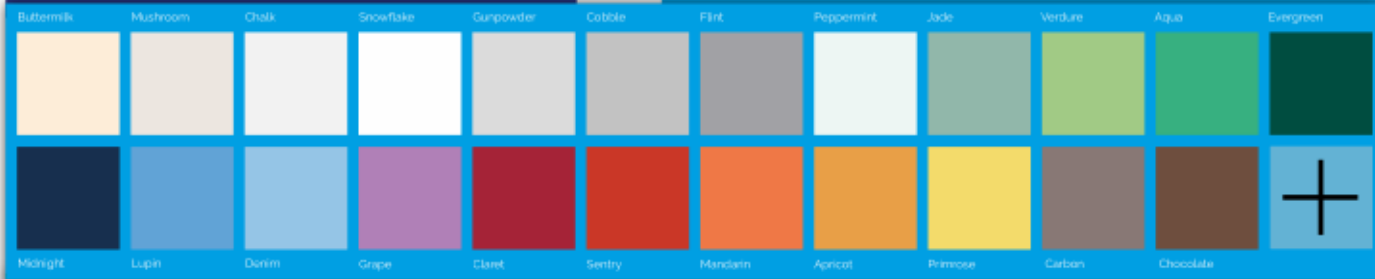
To mark-up your designs and floor plans with wall protection units, for recommended range of products most suitable for each corridor, wall or project, contact us: sales@sdsprotection.co.uk

for RAL, LRV and more visit:
www.sdsprotection.co.uk/colours

Endcaps, wall spacers, retainer and covers are supplied.

Standard overall length 750mm.

Alternative length and projection options available.



All durablend profiles constitute ecologically sound, PVC-free, highly recyclable material. So whilst they can be specified and installed to adeptly rebuff impacts, by selecting durablend you can be assured our Planet suffers very little impact.

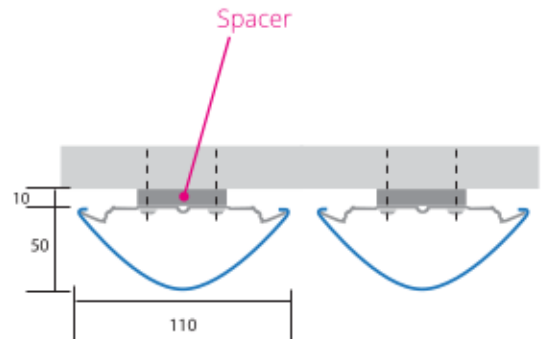
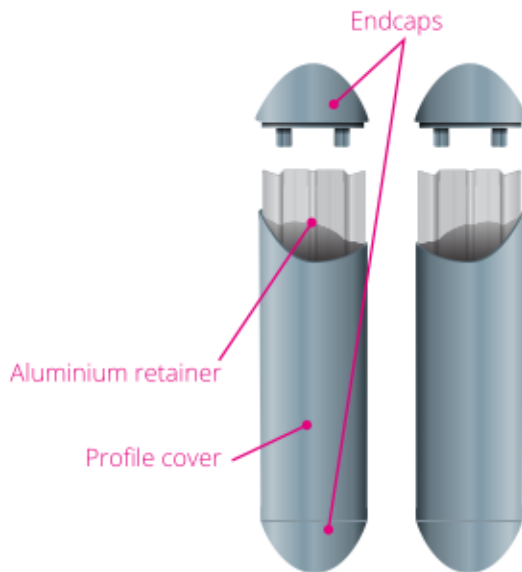
SDS Protection Ltd
Unit 4, Guildford Road Trading Estate, FARNHAM, SURREY GU9 9PZ
www.sdsprotection.co.uk
sales@sdsprotection.co.uk
01420 543 222



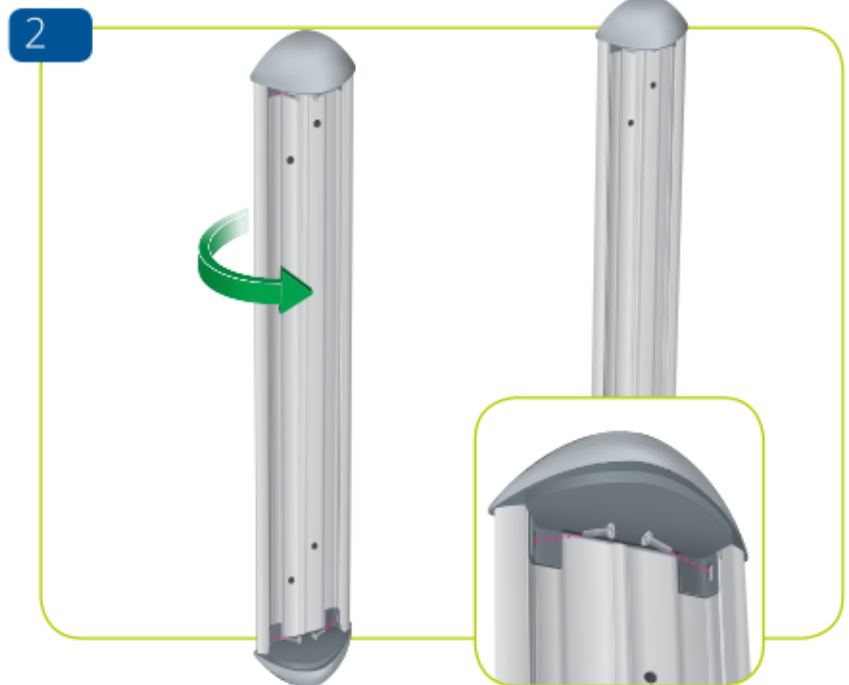
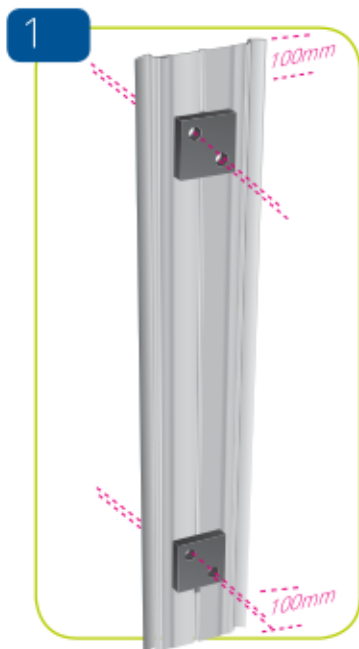
HEALTHCARE

PVC FREE

MEDIUM DUTY



Note: BL140 is usually supplied pre-cut to length of 750mm overall



Hold a 10mm spacer to the back of the retainers and drill holes through the retainer using the spacer as a guide.

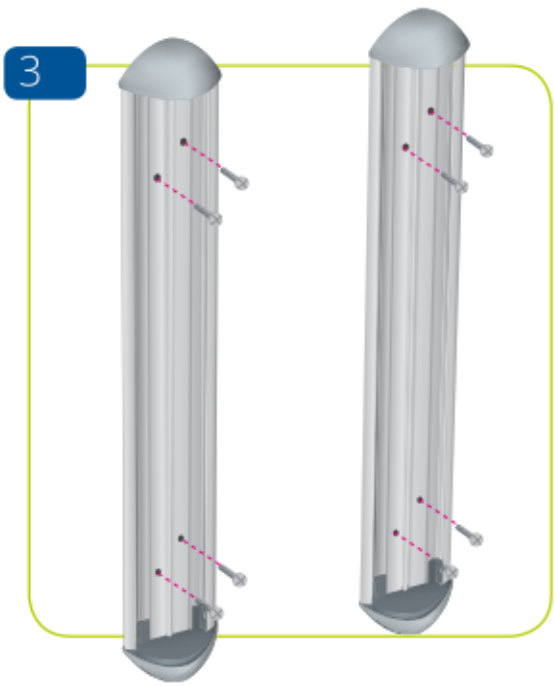
Turn over and attach endcaps to the retainers using screws – maximum length 15mm.



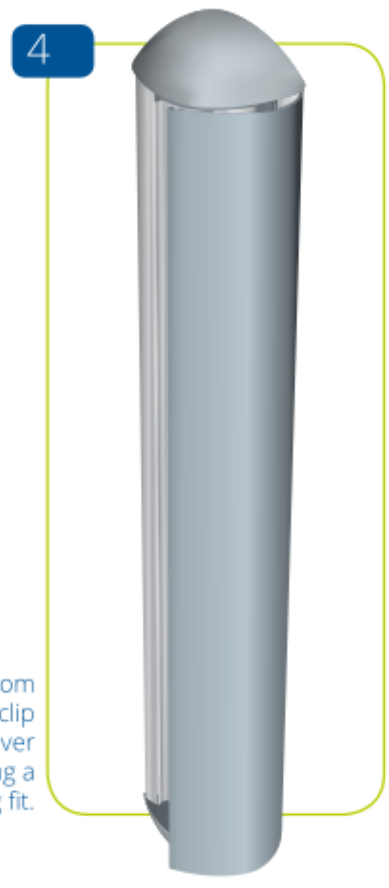
HEALTHCARE

PVC FREE

MEDIUM DUTY



3
Mark fixing points on the wall using the drilled retainer as a template. Fix the retainer onto the wall with construction approved fixings.



4
Starting from one edge, clip on the cover ensuring a snug fit.



5
Give the completed bed locators a clean with SDS Protection durablend™ cleaner.