

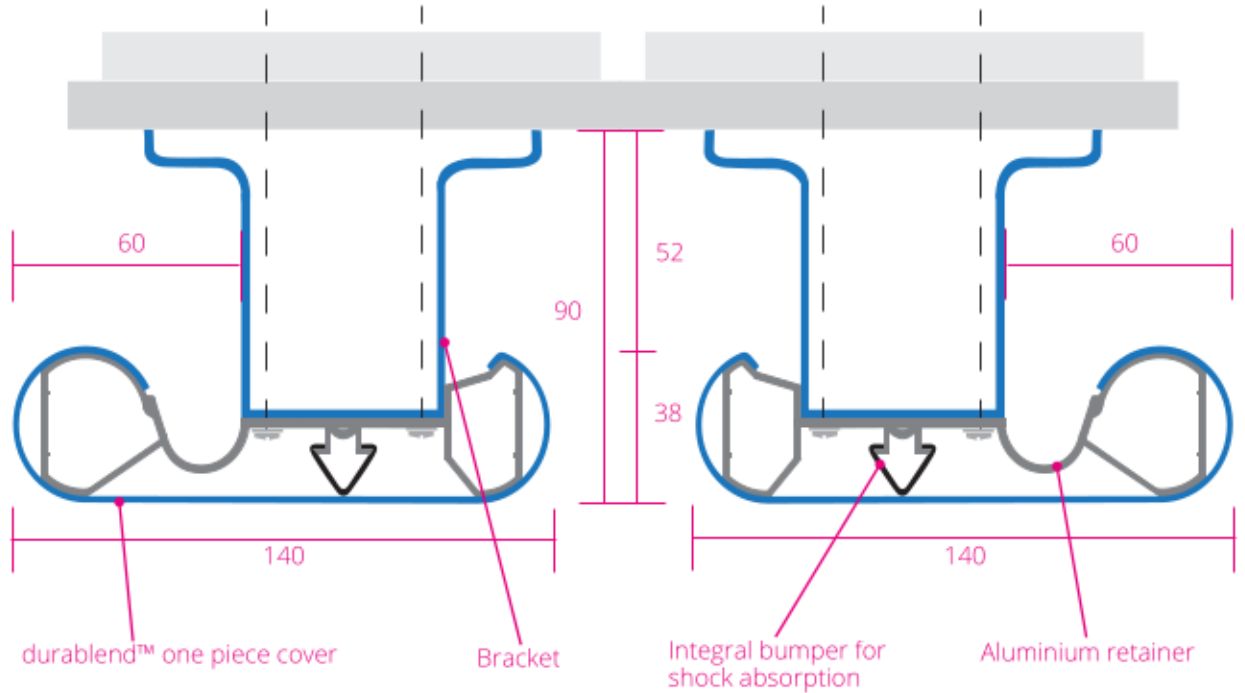


DATASHEET AND INSTALLATION GUIDE

HEALTHCARE

PVC FREE

HEAVY DUTY



Samples can be provided upon request,
Get in touch on:
01420 543 222

To mark-up your designs and floor plans with wall protection units,
for recommended range of products most suitable
for each corridor, wall or project,
contact us: sales@sdsprotection.co.uk

for RAL, LRV and more visit:
www.sdsprotection.co.uk/colours

Endcaps, wall spacers, retainer
and covers are supplied.

Standard overall length
750mm.

Alternative length and
projection options available.

Buttermilk	Mushroom	Chalk	Snowflake	Gunpowder	Cobble	Flint	Peppermint	Jade	Verdure	Aqua	Evergreen
Midnight	Lupin	Dunelm	Grape	Claret	Sentry	Mandarin	Apricot	Pineapple	Carbon	Chocolate	+

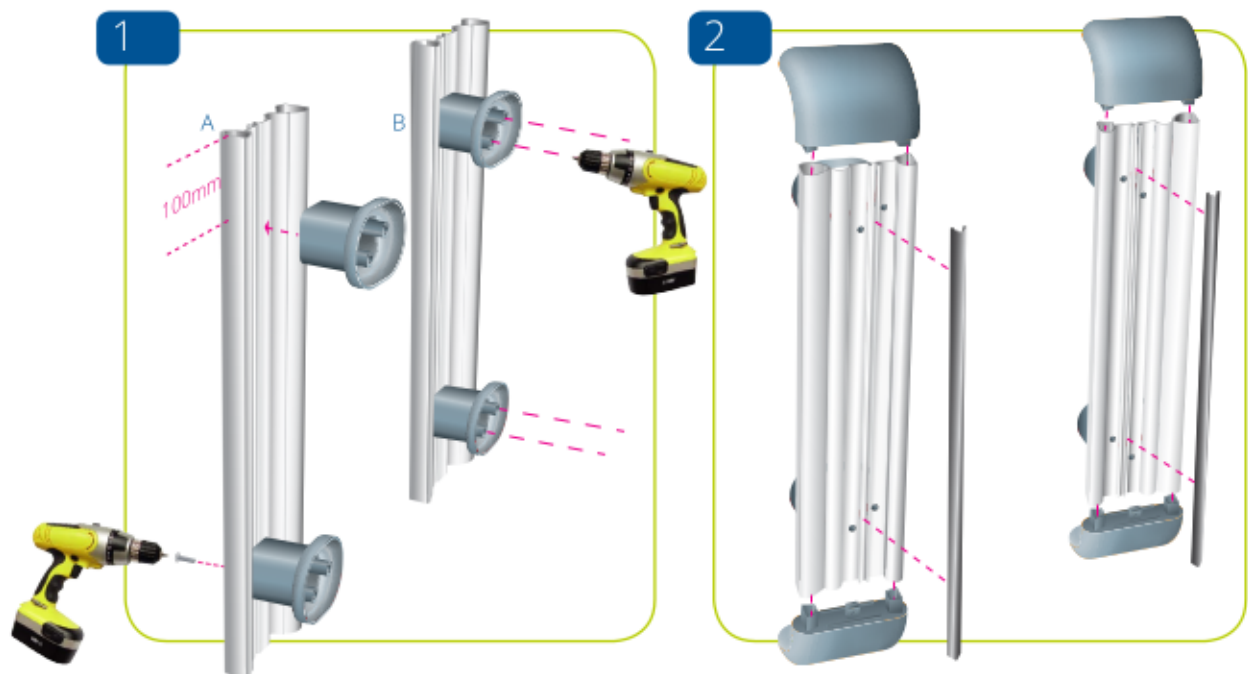
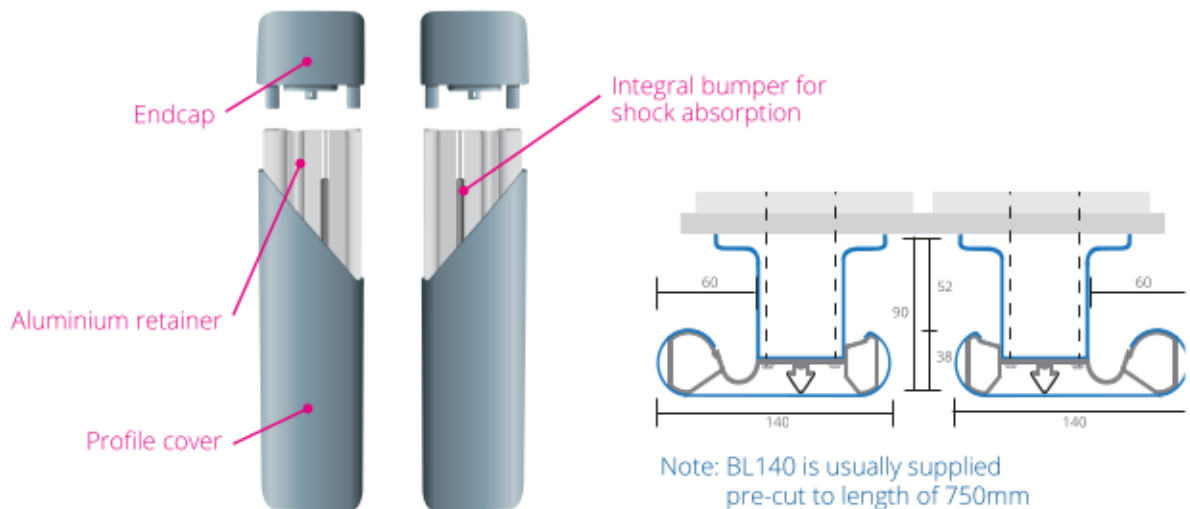
All durablend profiles constitute ecologically sound, PVC-free, highly recyclable material. So whilst they can be specified and installed to adeptly rebuff impacts, by selecting durablend you can be assured our Planet suffers very little impact.

SDS Protection Ltd
Unit 4, Guildford Road Trading Estate, FARNHAM, SURREY GU9 9PZ
www.sdsprotection.co.uk
sales@sdsprotection.co.uk
01420 543 222

HEALTHCARE

PVC FREE

HEAVY DUTY



A. Fix the brackets onto the back of the aluminium retainer using short self-tapping screws through the front of the retainer and into the bracket itself - brackets being attached 100mm from each end.

B. Then drill through the retainer using the brackets as a guide.

Attach the endcaps to the retainer and secure with short self-tapping screws. Clip the integral bumper into the middle of the retainer.

SDS Protection Ltd

Unit 4, Guildford Road Trading Estate, FARNHAM, SURREY GU9 9PZ

www.sdsprotection.co.uk

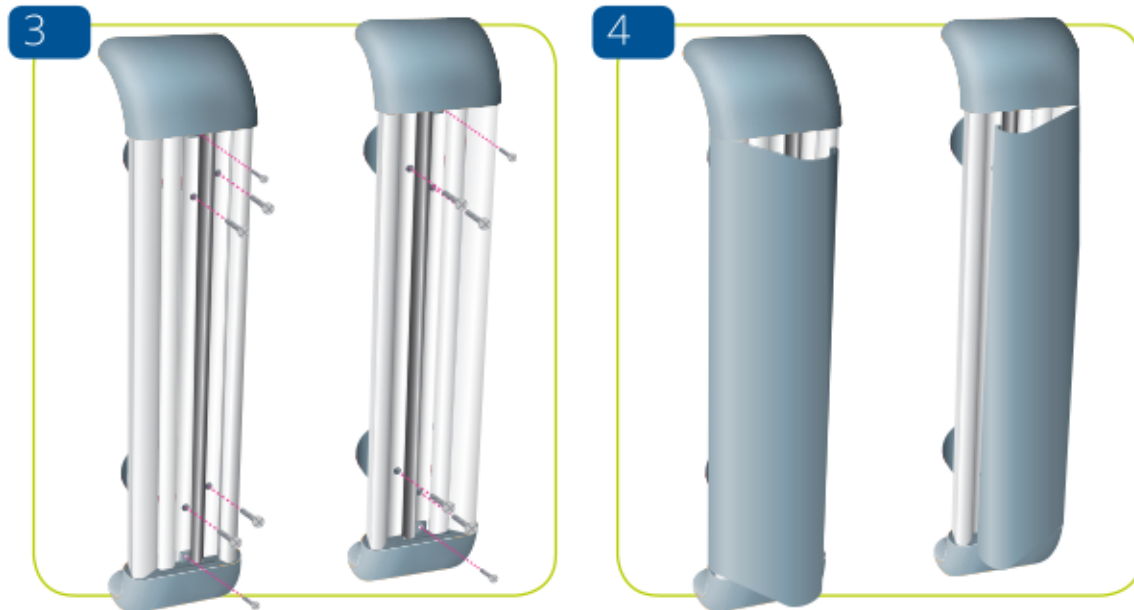
sales@sdsprotection.co.uk

01420 543 222

HEALTHCARE

PVC FREE

HEAVY DUTY



3 Mark fixing points on the wall using the drilled retainer as a template. Fix the retainer onto the wall with construction approved fixings.

4 Attach the cover starting from the outside edge and pushing inwards to ensure a snug fit.



5 Clean finished BL140 profile with SDS Protection durablend™ approved cleaner.

SDS Protection Ltd

Unit 4, Guildford Road Trading Estate, FARNHAM, SURREY GU9 9PZ

www.sdsprotection.co.uk

sales@sdsprotection.co.uk

01420 543 222