

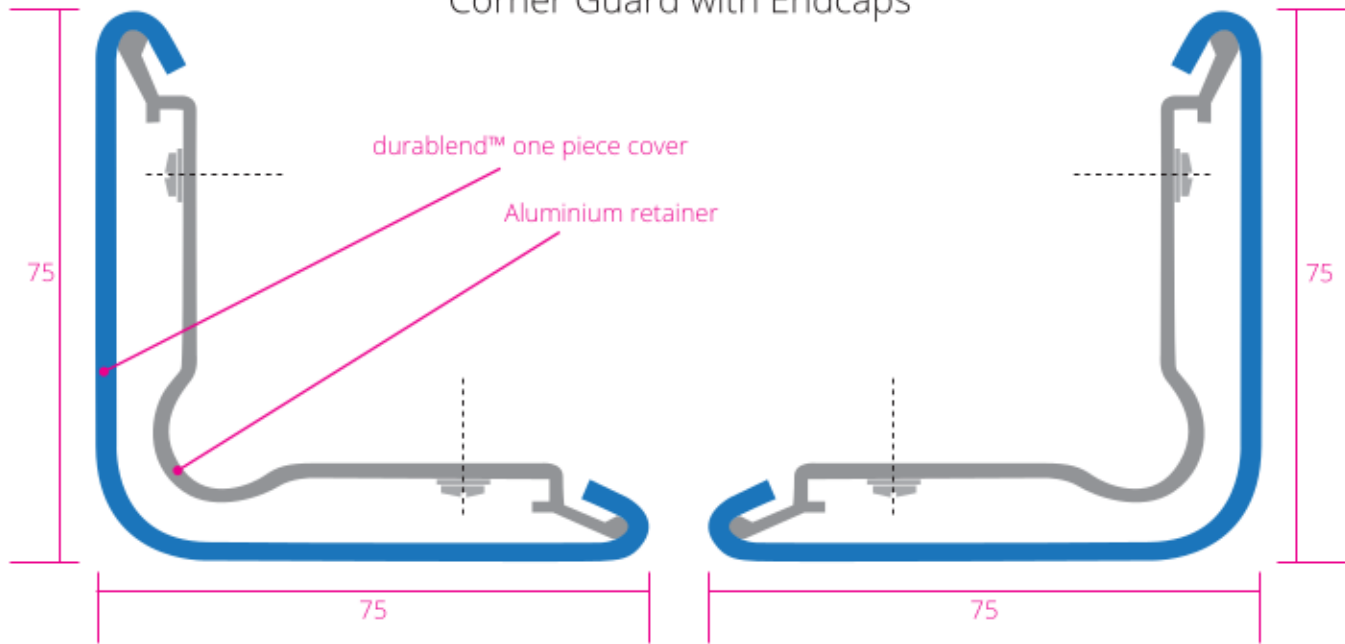


HEALTHCARE

PVC FREE

HEAVY DUTY

Corner Guard with Endcaps



Samples can be provided upon request,
Get in touch on:
01420 543 222

To mark-up your designs and floor plans with wall protection units, for recommended range of products most suitable for each corridor, wall or project, contact us: sales@sdsprotection.co.uk

for RAL, LRV and more visit:
www.sdsprotection.co.uk/colours

Designed to flex on impact.

Supplied with end caps, top and bottom.

Available in various lengths.



All durablend profiles constitute ecologically sound, PVC-free, highly recyclable material.

So whilst they can be specified and installed to adeptly rebuff impacts, by selecting durablend you can be assured our Planet suffers very little impact.

SDS Protection Ltd

Unit 4, Guildford Road Trading Estate, FARNHAM, SURREY GU9 9PZ

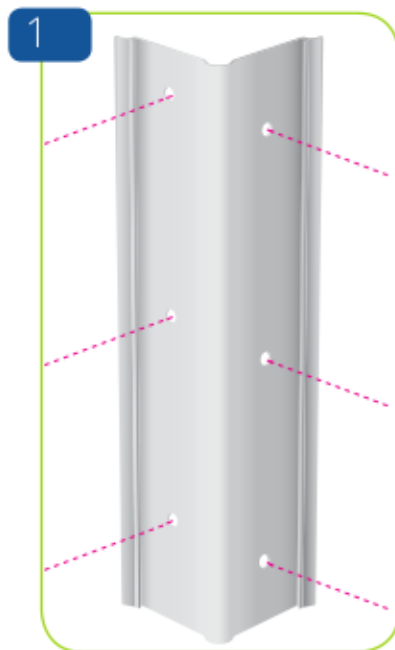
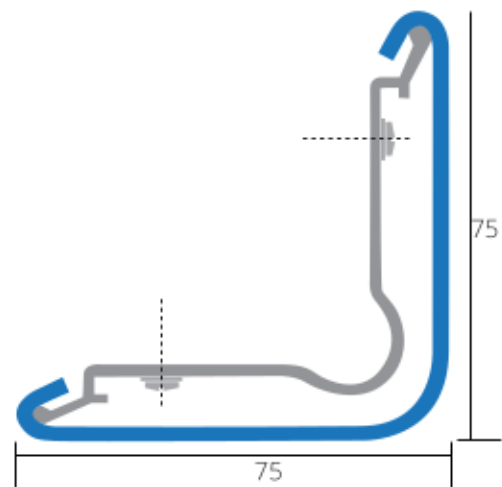
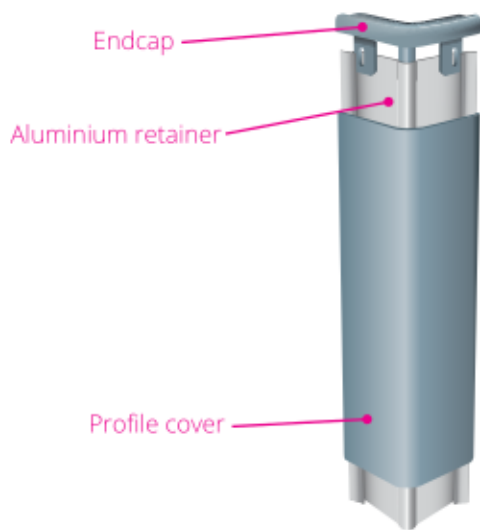
www.sdsprotection.co.uk

sales@sdsprotection.co.uk

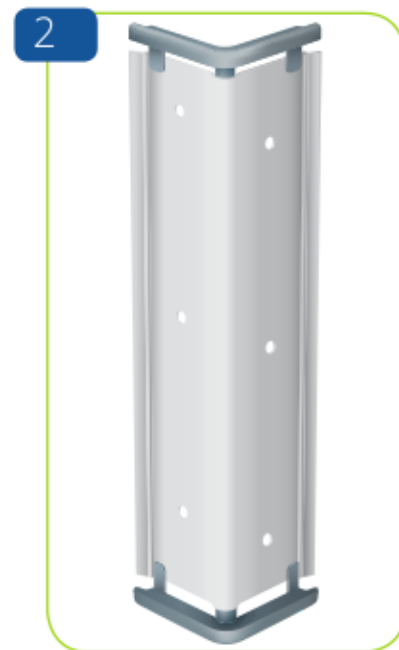
01420 543 222



Registered Member



Drill holes through the aluminium retainer starting at 50mm from either end and ensuring they are staggered so the screws don't collide when fixing - max 450mm centres



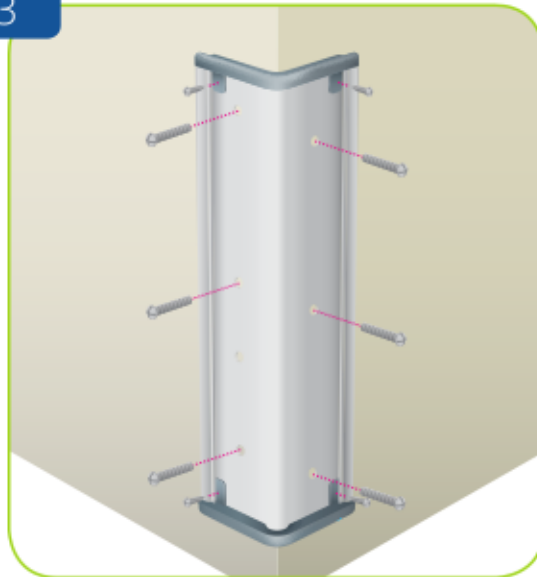
Insert top and bottom endcaps onto the aluminium retainer

HEALTHCARE

PVC FREE

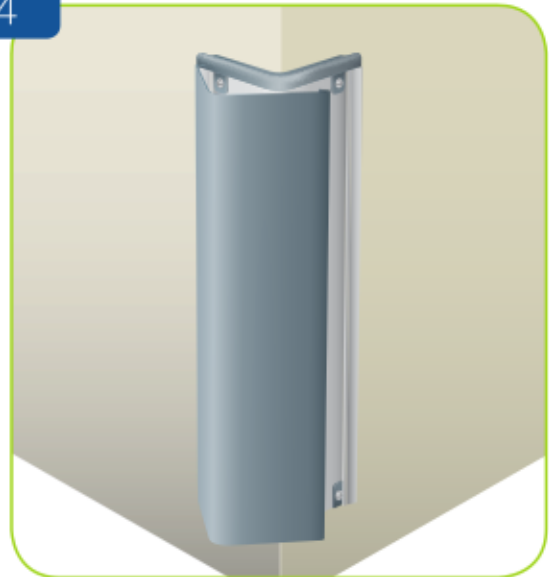
HEAVY DUTY

3



Fix the retainer to the wall with construction approved fixings. Fasten endcaps using short self-drilling screws.

4



Clip on the cover, starting from one side, pushing the opposite direction and ensuring a snug fit. (Endcaps can be adjusted to align with the cover).

5



Clean finished CG75 with SDS Protection durablend™ approved cleaner.

SDS Protection Ltd

Unit 4, Guildford Road Trading Estate, FARNHAM, SURREY GU9 9PZ

www.sdsprotection.co.uk

sales@sdsprotection.co.uk

01420 543 222