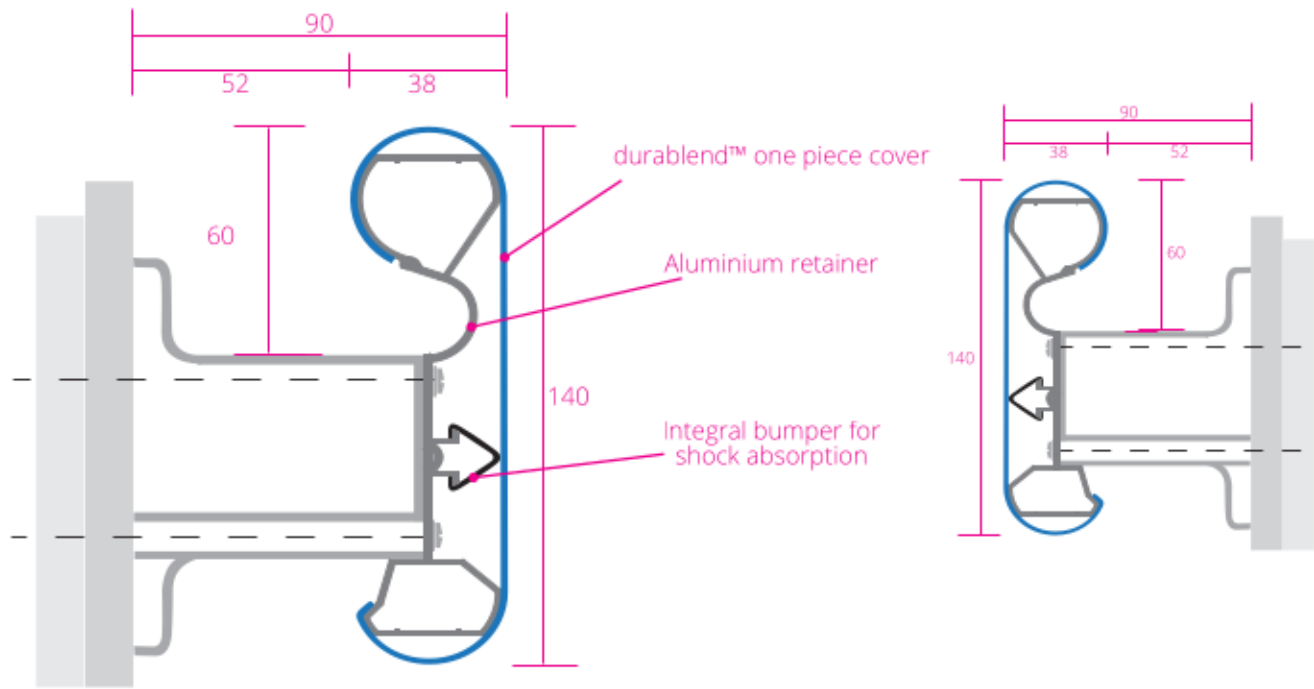


HEALTHCARE

PVC FREE

HEAVY DUTY

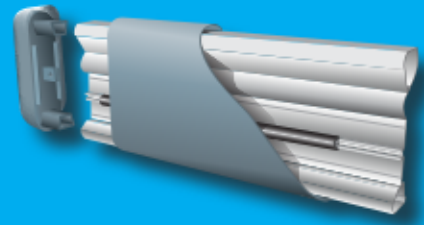


Samples can be provided upon request,  
Get in touch on:  
01420 543 222

To mark-up your designs and floor plans with wall protection units, for recommended range of products most suitable for each corridor, wall or project, contact us: [sales@sdsprotection.co.uk](mailto:sales@sdsprotection.co.uk)

for RAL, LRV and more visit:  
[www.sdsprotection.co.uk/colours](http://www.sdsprotection.co.uk/colours)

Heavy duty combined hand/crashrail with durablend one piece cover.  
Internal bumper to absorb impact.  
Return-to-wall endcaps and external corners available.  
Mounted on projecting brackets.  
Suitable for use in corridors and busy circulation zones.



Buttermilk	Mushroom	Chalk	Snowflake	Gunpowder	Cobble	Flint	Peppermint	Jade	Verdure	Aqua	Evergreen
Midnight	Lupin	Dunlin	Grape	Claret	Sentry	Mandarin	Apricot	Pineapple	Carbon	Chocolate	

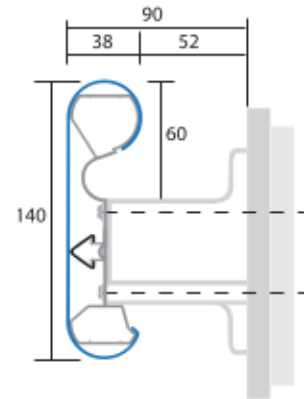
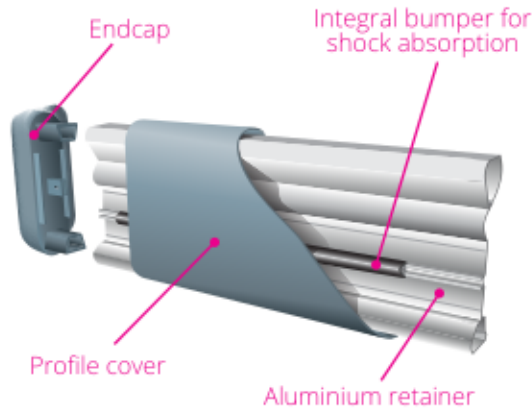
All durablend profiles constitute ecologically sound, PVC-free, highly recyclable material. So whilst they can be specified and installed to adeptly rebuff impacts, by selecting durablend you can be assured our Planet suffers very little impact.

**SDS Protection Ltd**  
Unit 4, Guildford Road Trading Estate, FARNHAM, SURREY GU9 9PZ  
[www.sdsprotection.co.uk](http://www.sdsprotection.co.uk)  
[sales@sdsprotection.co.uk](mailto:sales@sdsprotection.co.uk)  
01420 543 222

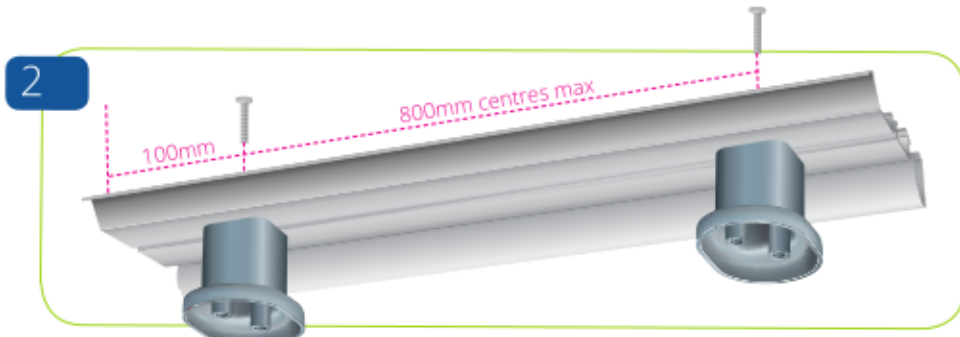
HEALTHCARE

PVC FREE

HEAVY DUTY



Snap in integral bumper and cut the aluminium retainer to length remembering to allow for endcaps.

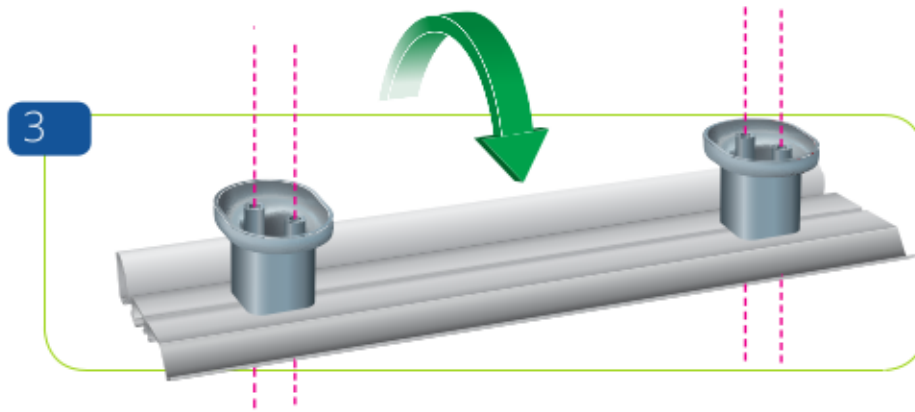


Fix the mounting brackets to the aluminium retainer using short self-drill screws. Begin 100mm from either end with maximum 800mm centres thereafter

HEALTHCARE

PVC FREE

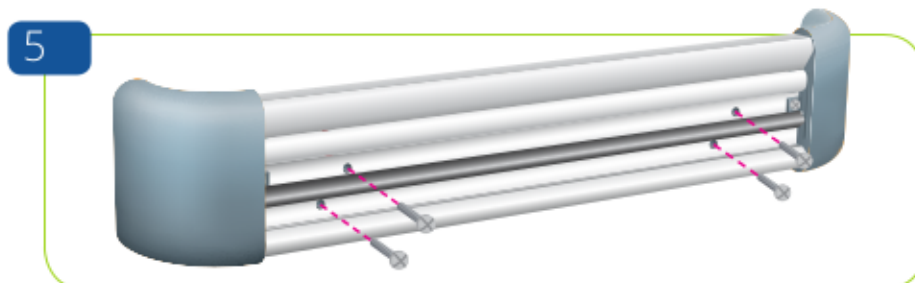
HEAVY DUTY



Using a 7mm drill bit, drill holes through the aluminium retainer from the back using the attached mounting brackets as guides.



Insert endcaps onto aluminium retainer... ..and secure with screws.



Hold the rail at the required height and use the retainer as a template to mark the fixing points. Screw the rail to the wall using construction approved fixing methods.

HEALTHCARE

PVC FREE

HEAVY DUTY



6 Measure between the endcaps and cut the profile cover to length. Attach the cover starting from the top and pushing downwards to ensure a snug fit.



7 Clean finished HR140 profile with SDS Protection durablend™ approved cleaner