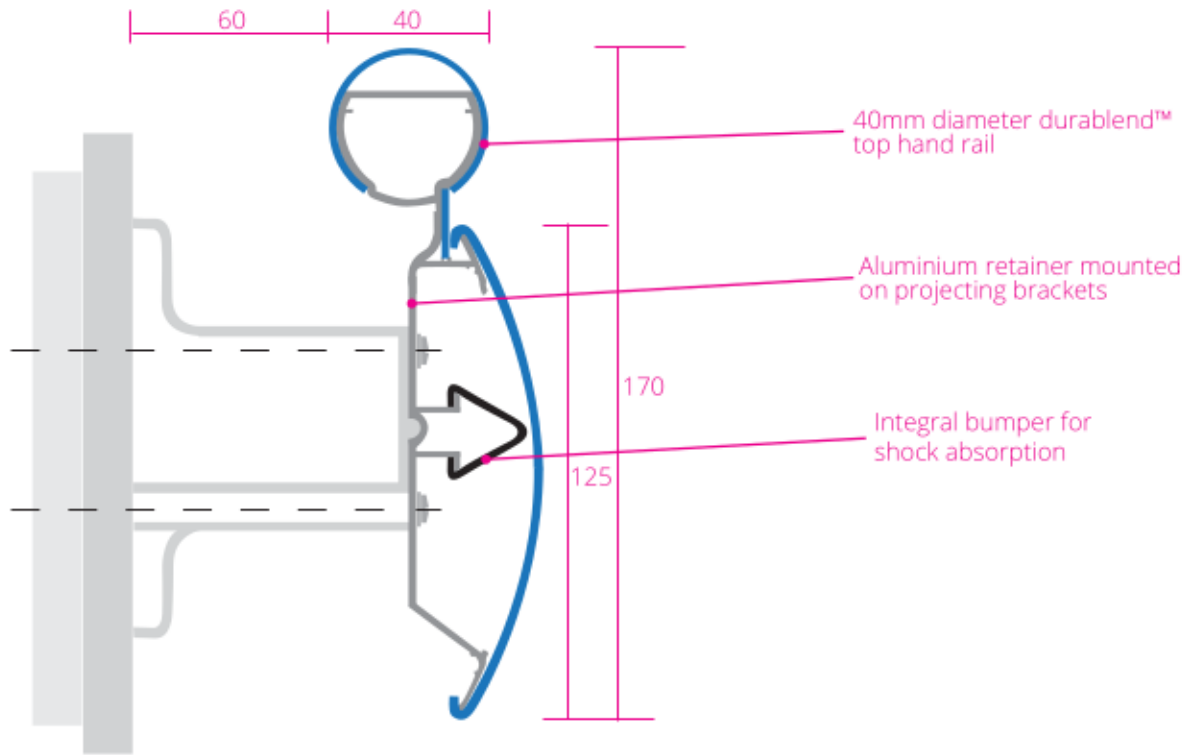


HEALTHCARE

PVC FREE

HEAVY DUTY

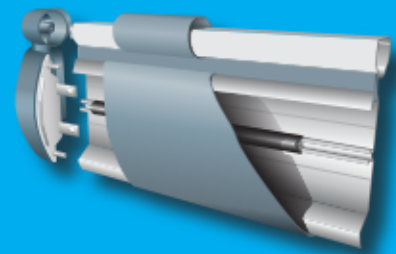


Samples can be provided upon request,
Get in touch on:
01420 543 222

To mark-up your designs and floor plans with wall protection units, for recommended range of products most suitable for each corridor, wall or project, contact us: sales@sdsprotection.co.uk

for RAL, LRV and more visit:
www.sdsprotection.co.uk/colours

Heavy duty, combined hand/crashrail.
40mm diameter durablend top hand rail and lower crashrail.
Internal bumper to absorb impact.
Return-to-wall endcaps and external corners available.
Mounted on projecting brackets.
Suitable for use in busy circulation zones.



Buttermilk	Mushroom	Chalk	Snowflake	Gunpowder	Cobble	Flint	Peppermint	Jade	Verdure	Aqua	Evergreen
Midnight	Lupin	Dunlin	Grape	Claret	Sentry	Mandarin	Apricot	Primrose	Carbon	Chocolate	

All durablend profiles constitute ecologically sound, PVC-free, highly recyclable material. So whilst they can be specified and installed to adeptly rebuff impacts, by selecting durablend you can be assured our Planet suffers very little impact.



SDS Protection Ltd

Unit 4, Guildford Road Trading Estate, FARNHAM, SURREY GU9 9PZ

www.sdsprotection.co.uk

sales@sdsprotection.co.uk

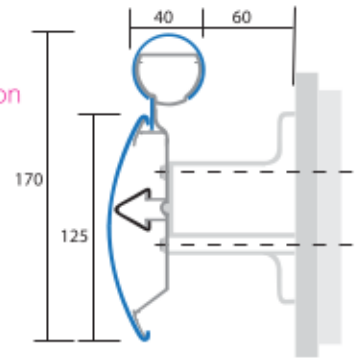
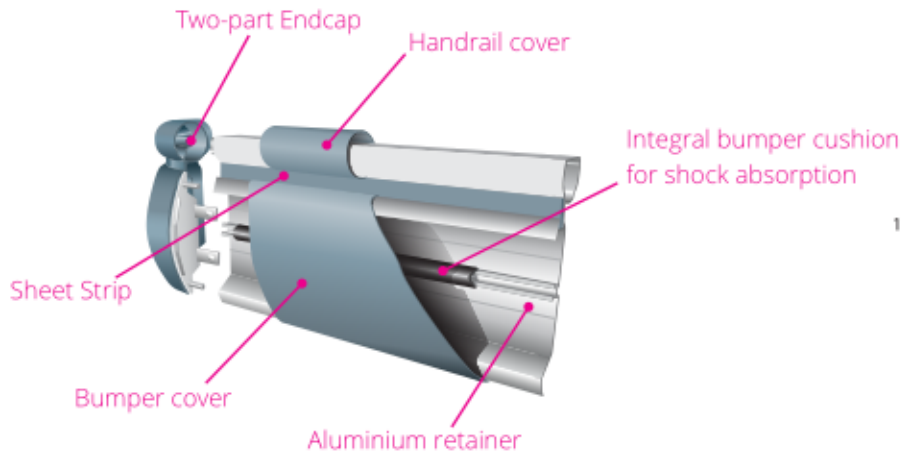
01420 543 222



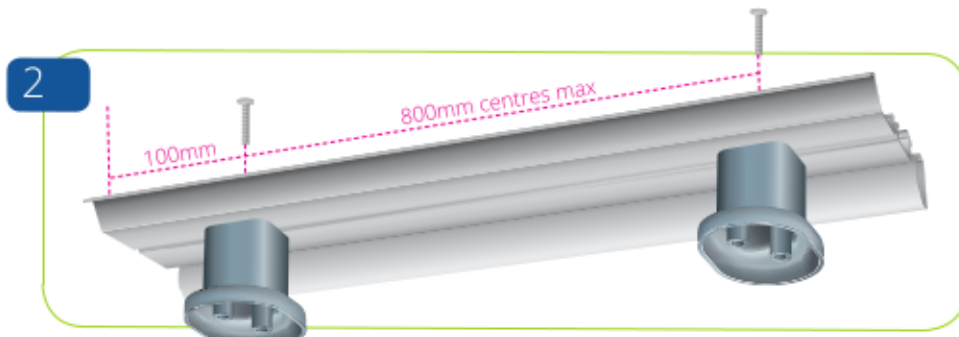
HEALTHCARE

PVC FREE

HEAVY DUTY



Snap in integral bumper and cut the aluminium retainer to length remembering to allow for endcaps.



Fix the mounting brackets to the aluminium retainer using short self-drill screws. Begin 100mm from either end with maximum 800mm centres thereafter.

SDS Protection Ltd

Unit 4, Guildford Road Trading Estate, FARNHAM, SURREY GU9 9PZ

www.sdsprotection.co.uk

sales@sdsprotection.co.uk

01420 543 222

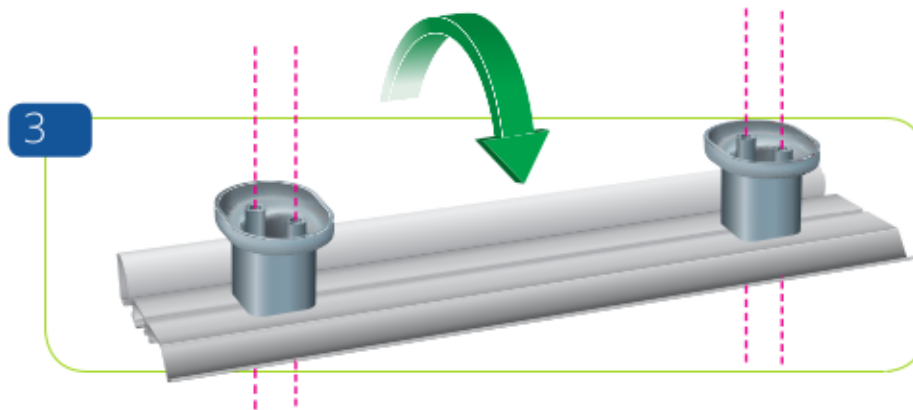


Registered Member

HEALTHCARE

PVC FREE

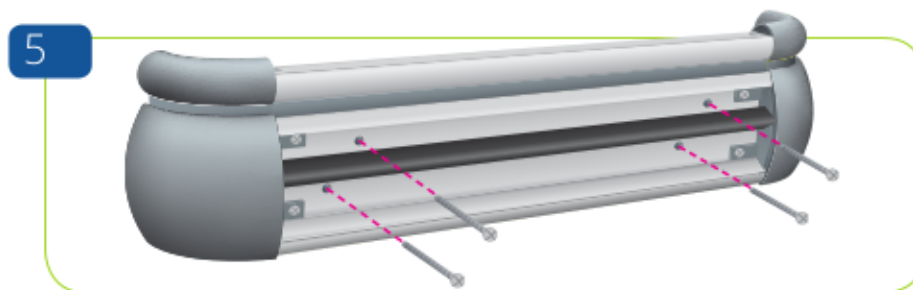
HEAVY DUTY



Using a 7mm drill bit, drill holes through the aluminium retainer from the back using the attached mounting brackets as guides.



Insert sheet strip and two-part endcaps onto aluminium retainer..... and secure with screws.

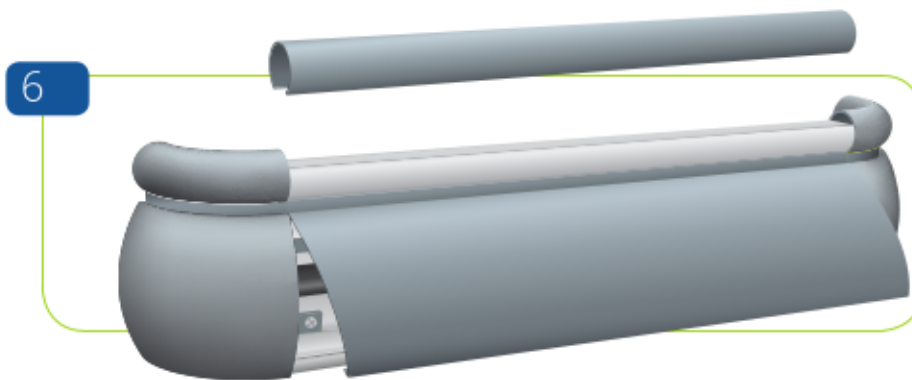


Hold the rail at the required height and use the retainer as a template to mark the fixing points. Screw the rail to the wall using construction approved fixing methods.

HEALTHCARE

PVC FREE

HEAVY DUTY



Measure between endcaps and cut handrail and bumper covers to length. Clip on handrail and bumper covers.



Clean finished HR170 profile with SDS Protection durablend™ approved cleaner