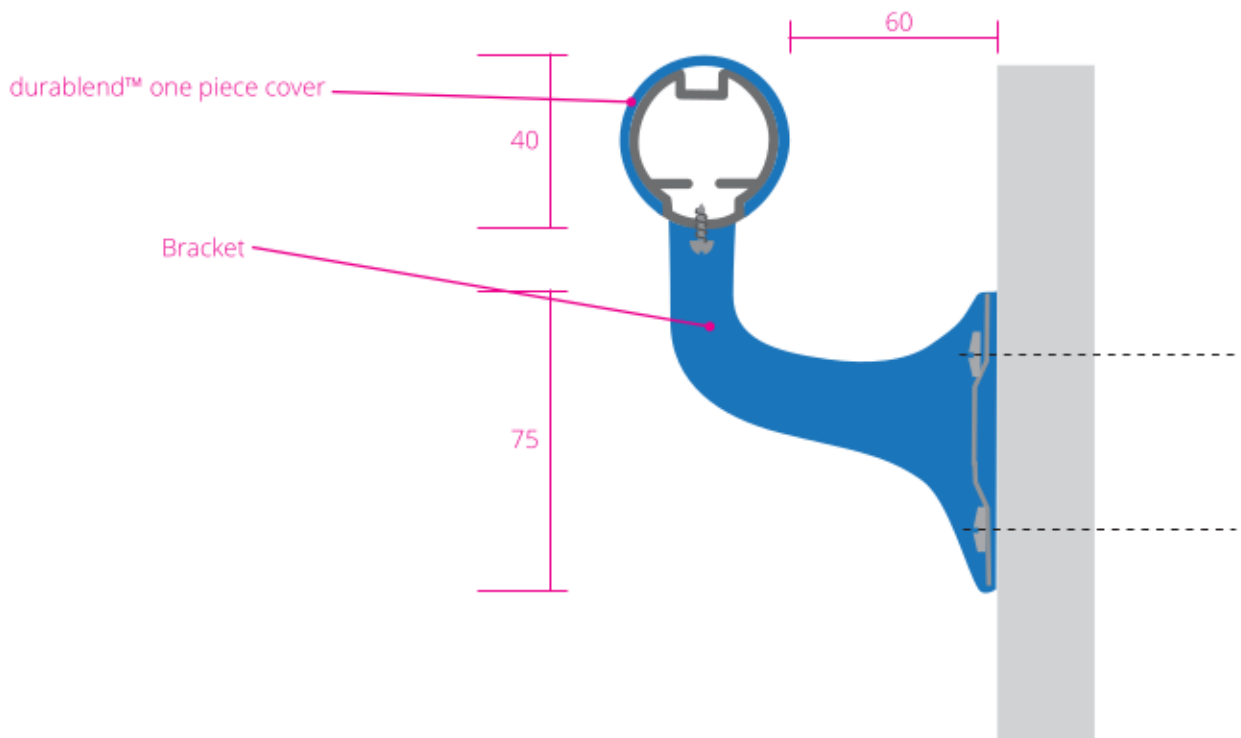




HEALTHCARE

PVC FREE

MEDIUM DUTY



Samples can be provided upon request,
Get in touch on:
01420 543 222

To mark-up your designs and floor plans with wall protection units, for recommended range of products most suitable for each corridor, wall or project, contact us: sales@sdsprotection.co.uk

for RAL, LRV and more visit:
www.sdsprotection.co.uk/colours

40mm diameter tube with durablend cover over aluminium retainer.
Return-to-wall endcaps and external corners available.
Suitable for use in corridors, entrances & ramps.

Buttermilk	Mushroom	Chalk	Snowflake	Gunpowder	Cobble	Flint	Peppermint	Jade	Verdure	Aqua	Evergreen
Midnight	Lupin	Dunlin	Grape	Claret	Sentry	Mandarin	Apricot	Primrose	Carbon	Chocolate	

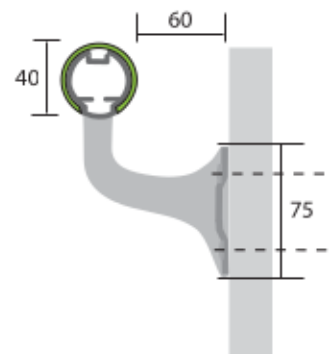
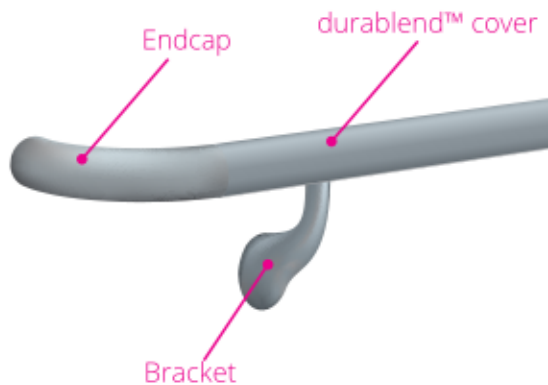
All durablend profiles constitute ecologically sound, PVC-free, highly recyclable material. So whilst they can be specified and installed to adeptly rebuff impacts, by selecting durablend you can be assured our Planet suffers very little impact.

SDS Protection Ltd
Unit 4, Guildford Road Trading Estate, FARNHAM, SURREY GU9 9PZ
www.sdsprotection.co.uk
sales@sdsprotection.co.uk
01420 543 222

HEALTHCARE

PVC FREE

MEDIUM DUTY

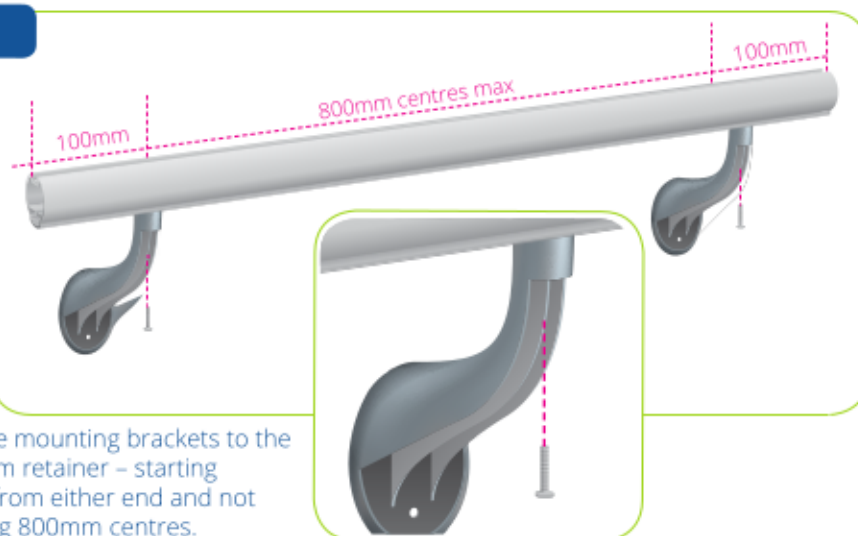


1



Cut the aluminium rail to the correct length allowing for an endcap at either end

2



Screw the mounting brackets to the aluminium retainer – starting 100mm from either end and not exceeding 800mm centres.

SDS Protection Ltd

Unit 4, Guildford Road Trading Estate, FARNHAM, SURREY GU9 9PZ

www.sdsprotection.co.uk

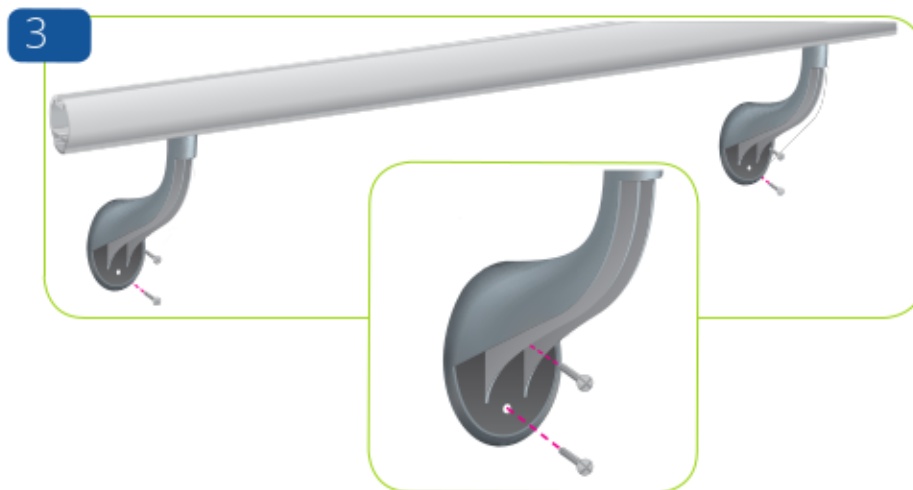
sales@sdsprotection.co.uk

01420 543 222

HEALTHCARE

PVC FREE

MEDIUM DUTY



Fix brackets to the wall using construction approved fixings making sure the brackets are level.



Attach the endcaps to either end of the aluminium rail and fix with self-tapping screws.

SDS Protection Ltd

Unit 4, Guildford Road Trading Estate, FARNHAM, SURREY GU9 9PZ

www.sdsprotection.co.uk

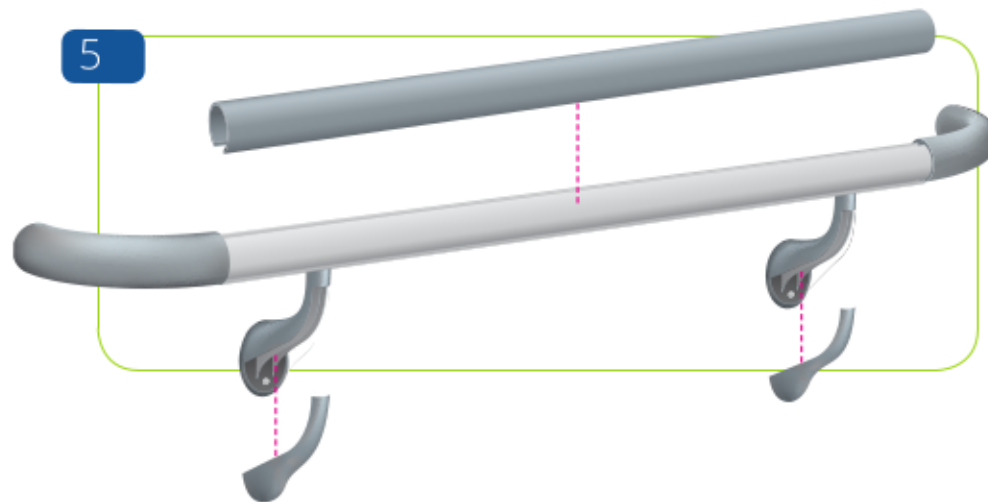
sales@sdsprotection.co.uk

01420 543 222

HEALTHCARE

PVC FREE

MEDIUM DUTY



Measure between the endcaps and cut the cover to size. Clip the cover onto the aluminium rail profile and the covers onto the brackets.



Clean finished HR40 profile with SDS Protection durablend™ approved cleaner.

SDS Protection Ltd

Unit 4, Guildford Road Trading Estate, FARNHAM, SURREY GU9 9PZ

www.sdsprotection.co.uk

sales@sdsprotection.co.uk

01420 543 222